

## VESM02

### Self-Retracting Cable Reel

The VESM02 static grounding reel provides a suitable alternative to spiral cable for use with the Earth-Rite range of static grounding systems, especially for areas where self-retracting cable reels are a standard requirement.

The reel can be used in conjunction with systems that are used to ground road tanker trucks, railcars and other items of plant requiring static grounding protection.

The reel is ATEX certified for installation in Zone 1 and Zone 21 hazardous areas and connection to all certified Earth-Rite Intrinsically Safe monitoring systems. The reel is supplied with 15 metres (50 ft.) of Newson Gale's 2 conductor static dissipative cable.

The main body of the reel is made of powder coated steel and the weight of the reel, including clamp and cable, is 11.5 kg (25 lbs).

**Ordering Code:** VESM02



VESM02 used in conjunction with Earth-Rite Static Grounding System

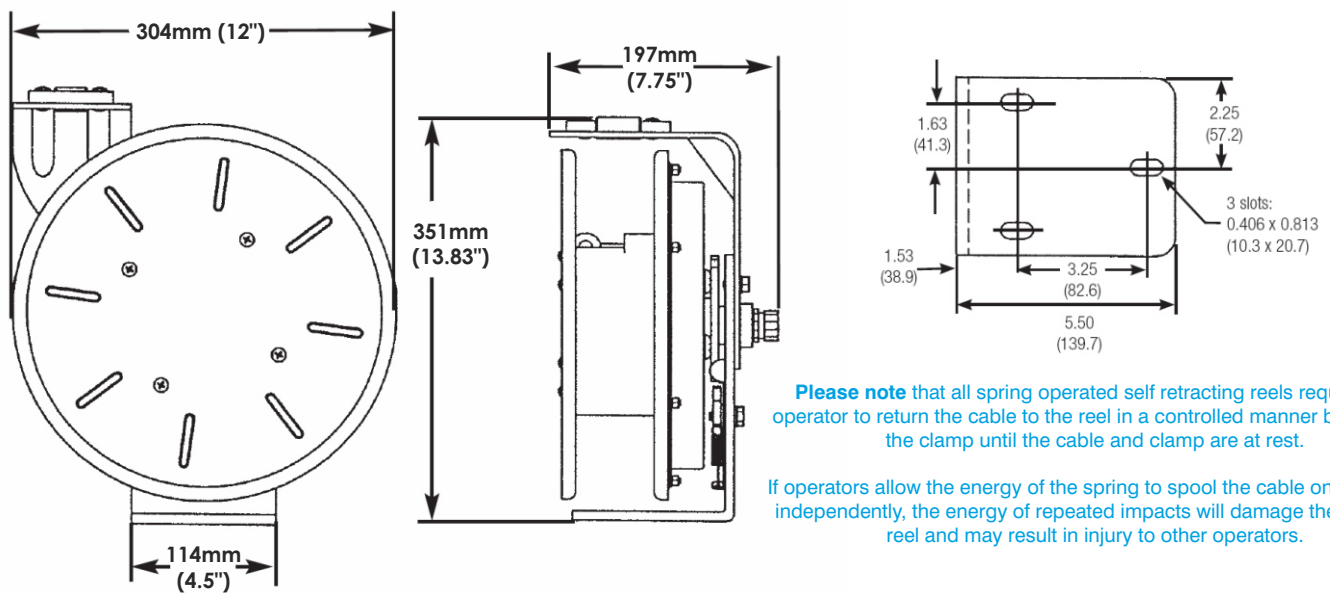


**ATEX certification:** II 2 GD T6  
IP56 (NEMA 4)

## Reel Features include:

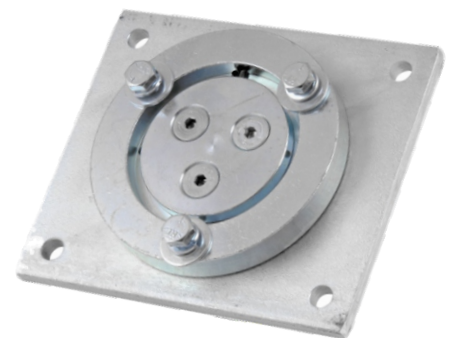
- Certified for ATEX Zone 1 and 21 hazardous areas.
- Self-retracting with up to 15 metres (50 feet) of Hytre<sup>®</sup> protected cable.
- Silver plated ultra low resistance slip ring contacts.
- Includes 3 metres (10 feet) of cable for connection to all Earth-Rite static grounding systems.
- Adjustable guide arm provides flexible installation options.
- Includes auto locking ratchet for constant tension.
- Adjustable ball stop and spring included.
- Optional pivot base provides increased angle of use.
- Available with VESX90-IP stainless steel grounding clamp.





Please note that all spring operated self retracting reels require the operator to return the cable to the reel in a controlled manner by holding the clamp until the cable and clamp are at rest.

If operators allow the energy of the spring to spool the cable onto the reel independently, the energy of repeated impacts will damage the cable or reel and may result in injury to other operators.



Pivot Base permits up to 345° of reel rotation

## Pivot Base

For situations where cable must be payed out to equipment located outside the normal direction of application, the Pivot Base will permit up to 345° of reel rotation.

The pivot base must be mounted in a plane that is at 90° to the axis of reel rotation. The reel is then fitted to the base. The pivot base weighs 3.4 kg (7.5 lbs) and is constructed from passivated steel.

Typical Ordering Code	Product Description
ATEX code: RTRMEA4A7A or North American code: RTRMUA4A7A	Earth-Rite RTR™ Static Grounding Unit - IECEx, ATEX, cCSAus, IIC, 115/230Vac ±10% with VESM02 Grounding Reel, X90-IP Heavy Duty grounding clamp, 15m (50 ft.) Hytrek protected cable & instruction board.
ATEX code: PLUSMEA4A7 or North American code: PLUSMUA4A7	Earth-Rite PLUS™ Static Grounding Unit - IECEx, ATEX, cCSAus, IIC, 115/230Vac ±10% with VESM02 Grounding Reel, X90-IP Heavy Duty grounding clamp, 15m (50 ft.) Hytrek protected cable.
VESM02	Static Grounding Reel with 15m of Hytrek protected cable.
VESM02-PM	Pivot base to permit 345° rotation of VESM02 reel

For ordering codes and more technical information please e-mail or contact us on the details provided below.

The VESM02 static grounding reel forms part of the Earth-Rite range of Static Grounding and Bonding Equipment available from Newson Gale



Leading the way in hazardous area static control

[www.newson-gale.com](http://www.newson-gale.com)



Vierselbaan 40 Unit 10  
2240 Zandhoven  
Belgium  
Tel: +32 (0)36 53 21 82  
Fax: +32 (0)36 53 21 61  
Email: [info@athex.eu](mailto:info@athex.eu)

Newson Gale Ltd  
Omega House  
Private Road 8  
Colwick, Nottingham  
NG4 2JX, UK

Tel: +44 (0)115 940 7500  
Fax: +44 (0)115 940 7501  
Email: [groundit@newson-gale.co.uk](mailto:groundit@newson-gale.co.uk)